

RIGID - IMC

Conduit Hubs with Insulated Throats for Threaded Rigid Conduit and IMC

Features:

- Male hub thread - NPT
- Female thread for Rigid conduit and IMC - NPT
- Recessed o-ring seal assures watertight and dust tight connections
- Type NHUB with insulated throat and bonding locknut is suitable for service entrance application
- RoHS compliant

Standard Materials:

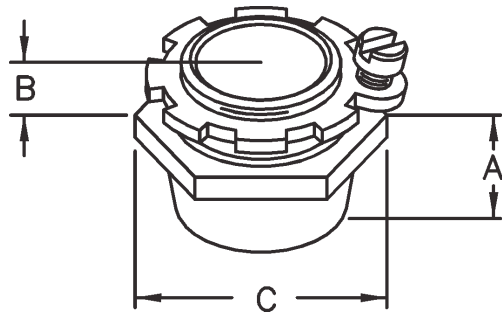
Malleable iron

Standard Finish:

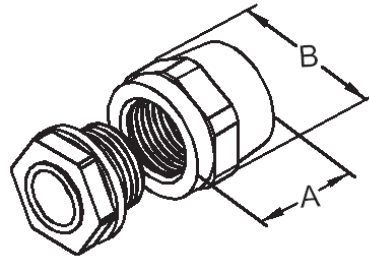
Zinc plated

Applicable Third Party Standards:

UL Standard: 514B
 Fed. Spec. W-F-408E
 NEMA: FB-1



CATALOG NUMBER	TRADE SIZE	DIM A	DIM B	DIM C	PCS/UNITS PER BOX	WEIGHT PER C
NHUB50-IC	1/2"	13/16"	5/8"	1-1/2"	300	18.2
NHUB75-IC	3/4"	15/16"	5/8"	1-13/16"	220	25.1
NHUB100-IC	1"	1-1/16"	3/4"	2-1/16"	130	38.9
NHUB125-IC	1-1/4"	1-1/4"	3/4"	2-5/8"	70	54.4
NHUB150-IC	1-1/2"	1-1/4"	13/16"	3-1/8"	54	63.6
NHUB200-IC	2"	1-1/4"	13/16"	3-9/16"	36	97.7
NHUB250-IC	2-1/2"	1-5/8"	1-3/16"	4-1/8"	20	195.5
NHUB300-IC	3"	1-3/4"	1-1/4"	4-15/16"	12	282.1
NHUB350-IC	3-1/2"	1-13/16"	1-5/16"	5-3/4"	6	350.9
NHUB400-IC	4"	1-15/16"	1-3/8"	6-3/16"	6	395.3
NHUB500-IC	5"	2-1/16"	1-7/16"	7-5/8"	4	717.4
NHUB600-IC	6"	2-1/8"	1-9/16"	8-13/16"	3	888.4



CATALOG NUMBER	TRADE SIZE	DIM A	DIM B	PCS/UNITS PER BOX	WEIGHT PER C
HUB-50	1/2"	3/4"	1-1/4"	25	19.4
HUB-75	3/4"	3/4"	1-9/16"	10	33.4
HUB-100	1"	13/16"	1-7/8"	5	44.1
HUB-125	1-1/4"	7/8"	2-5/16"	5	76.6
HUB-150	1-1/2"	1"	2-1/2"	2	85.3
HUB-200	2"	1-1/8"	3-1/16"	1	177.1
HUB-250	2-1/2"	1-7/16"	3-3/4"	1	221.3
HUB-300	3"	1-1/2"	4-5/16"	1	333.4
HUB-350	3-1/2"	1-1/2"	4-13/16"	1	384.1
HUB-400	4"	1-3/4"	5-5/16"	1	597.5



RIGID - IMC FITTINGS