

Delayed Action Factory Sealed

Application:

CPS receptacles, angle and straight types, and CPP plugs are used:

- with portable electrically operated devices such as motor-generator sets, compressors, conveyors, portable tools, lighting systems and similar equipment
- in locations which are hazardous due to the presence of flammable vapors or gases
- in damp or corrosive locations
- in petroleum refineries, chemical and petrochemical plants, and other process industry facilities where similar hazards exist

Features:

- The delayed action feature permits the plug to be used as an emergency push-pull switch
- CPS receptacles are equipped with a rotating mechanism which prevents complete withdrawal of the CPP plug in one continuous movement. Details of operation are illustrated and explained below



Fig. 1

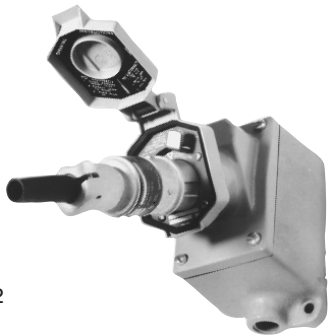


Fig. 2



Fig. 3

Figure 1 shows a CPS angle type receptacle assembly with CPP plug fully engaged.

Figure 2 shows the plug withdrawn until it is stopped by the delayed action mechanism. In this position the circuit has been broken and the arc has been snuffed in the contact chambers. To completely withdraw the plug as shown in **Figure 3**, the delayed action release lever must be rotated counterclockwise. The time required to actuate the mechanism permits dissipation of the arc-generated heat before contacts and arcing chambers are opened to the atmosphere. When inserting the plug, the reverse procedure is followed.

- CPS receptacles are factory sealed to simplify installation and wiring – external seals are not required
- Series 152 receptacles have top hinged cover design, with 45° downward angled receptacle housing, to provide superior environmental protection from accumulations of dust, snow, ice, and water
- Back boxes used for angle type receptacles are standard EDS bodies. Assemblies are listed with single and two gang bodies and dead end or through feed hubs – 1/2" to 1" sizes
- Back boxes used for straight type receptacles are available with a variety of hub arrangements in 1/2" and 3/4" sizes
- **All receptacles and 30 ampere plugs are provided with pressure terminals for ease of field wiring. 20 ampere plugs have solder terminals.**

Grounding:

- NEC Article 501 and CEC Part 1 Section 18 requires that metal frames or exposed non-current-carrying metal parts of portable devices used in hazardous locations be grounded through an extra conductor in the portable cord
- CPS receptacles and CPP plugs are provided with an extra grounding pole
- In plugs, provision is made for attachment of the grounding wire to the grounding pole. In addition, direct connection is provided between plug and receptacle housings and the grounding pole. In the receptacle, grounding is accomplished through the conduit system

Interchangeability of Plugs with Non-Hazardous Location Receptacles:

- 30 ampere CPP plugs can also be used with standard 30 ampere AR Arktite receptacles of the same style and number of poles, thus permitting portable devices suitable for use in hazardous locations to be connected to receptacles in both hazardous and non-hazardous areas

NOTE: Equipment to be used in hazardous areas must be suitable for use in the specific hazardous location.

Standard Materials:

- Receptacle housings – die cast copper-free aluminum
- EDS Back boxes – *Feraloy*® iron alloy (U.S.)/Copper-free aluminum (Canada)
- Other back boxes – *Feraloy* iron alloy
- Plug exteriors – copper-free aluminum or Krydon® fiberglass-reinforced polyester material. See listings
- Insulation – all receptacles and plugs – Krydon fiberglass-reinforced polyester material
- Pressure or solder contacts – brass
- Crimp/solder contacts – leaded red brass

Standard Finishes:

- Copper-free aluminum – aluminum acrylic paint.
- *Feraloy* – electrogalvanized and aluminum lacquer
- Fiberglass-reinforced polyester – natural (red, white)
- Brass – natural
- Leaded red brass – electro-tin-plate

Electrical Rating Ranges:

- Angle type – 20 and 30 amperes; 125 and 250 VAC
- Straight type – 20 amperes; 125 and 250 VAC

Certifications and Compliances:

- NEC/CEC: Class I, Division 1 and 2, Groups C,D
- UL Standard: 1010
- CSA Standard C22.2 No. 30

Arktite® Circuit Breaking CPS Receptacles and CPP Plugs

Cl. I, Div. 1 & 2, Groups C,D
Explosionproof
Wet Locations

2P

**Delayed Action
Factory Sealed**

Options:

- Material: copper-free aluminum, natural finish, is available on certain back boxes. See listings. Add suffix SA to Cat. No.

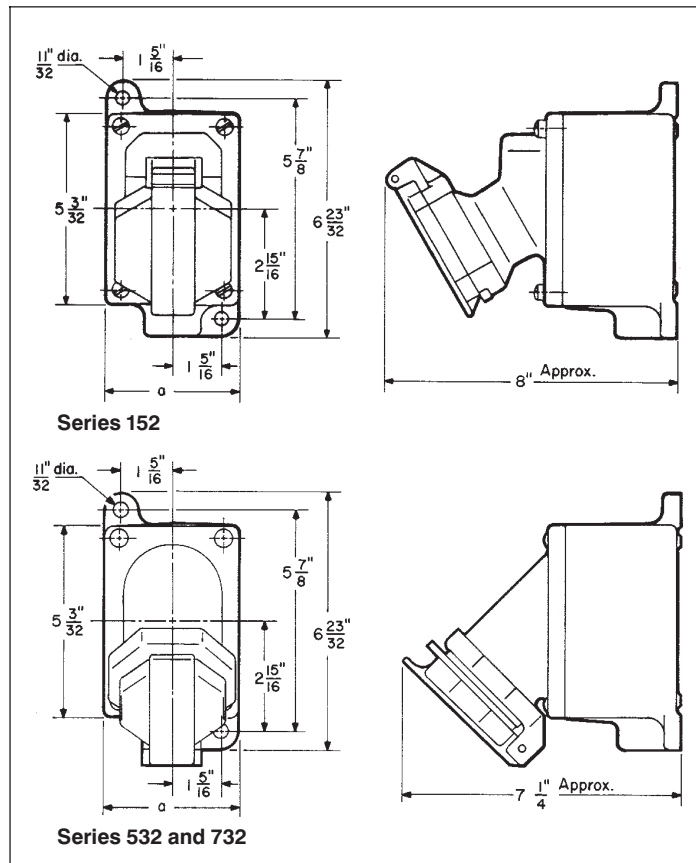
* The following special options are available from factory by adding suffix to Cat. No.

Description

Receptacle interior rotated 22½ degrees to right (viewed from face) and plug changed to match. 30 ampere units only S4
Combination of receptacles and EFS/efd or EDS series devices, such as pilot lights, switches, push button stations, etc., can be furnished using three, four and five gang bodies Specify
Hub arrangements other than those listed can be supplied Specify

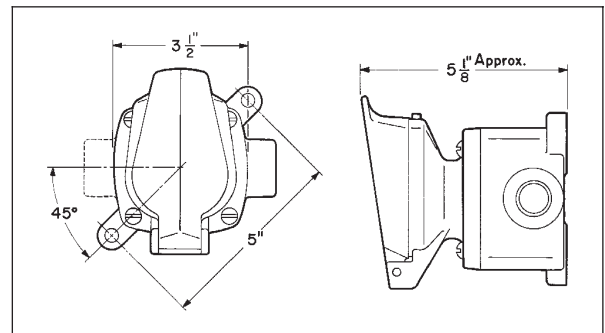
**Suffix to be
Added to
Cat. #**

Dimensions

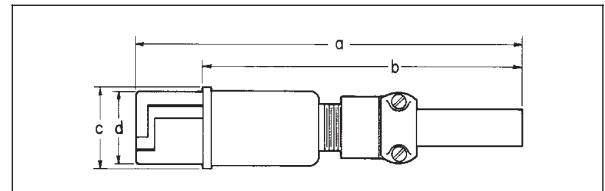


Angle type receptacles

a = 3½ for single gang
7¾ for two gang



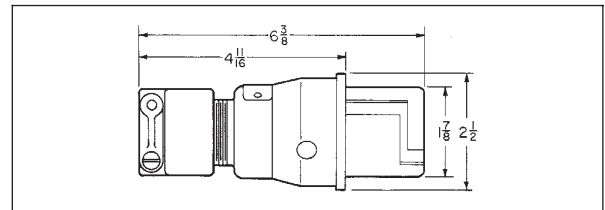
Straight type receptacles



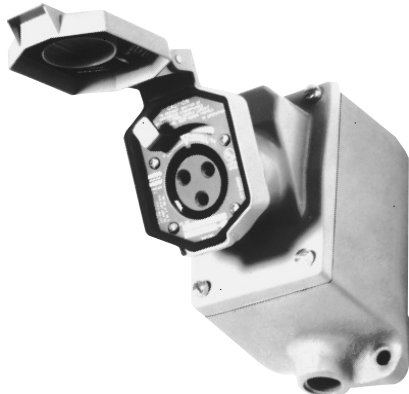
20 Ampere plugs

Cat. #	a†	b†	C	d
CPP516	8¾	6⅞	1¾	1¼
CPP512	7	5½	1¾	1¼

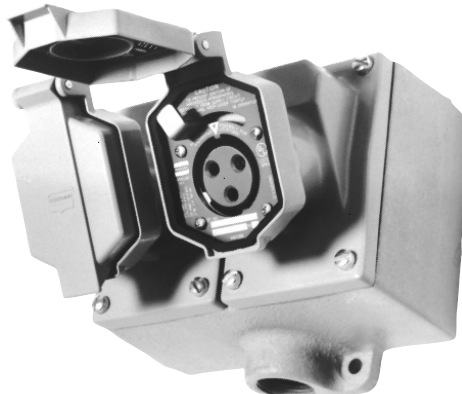
†These dimensions are approximate and vary with cable size.



30 Ampere plugs

2P**Arktite® Circuit Breaking CPS Receptacles and CPP Plugs**Cl. I, Div. 1 & 2, Groups C,D
Explosionproof
Wet LocationsDelayed Action
Factory Sealed

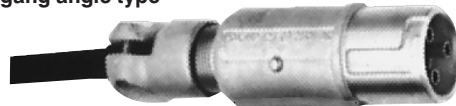
CPS152 – Single gang angle type



CPS152 – Two gang angle type



CPS152R – Receptacle unit only



CPP plugs with mechanical cable grip and Neoprene bushing

Style 2 – Grounded through extra pole and shell

Rating	Description	Hub Size	Single Gang Receptacle Assembly Cat. #	Two Gang Receptacle Assembly Cat. #	Cable Dia.	Plug With Aluminum Handles Cat. #	Plug With High Impact Molded Composition Handle Cat. #	Receptacle Unit only Cat. #
20A, 1 HP, 125-250VAC, 60 hertz, 20A, 18VDC	Dead End	1/2	CPS152-101*	CPS152-102*	} † .312 to .625	CPP516 ♦	CPP512 ♦	CPS152R
		3/4	CPS152-201*	CPS152-202*				
		1	CPS152-301*	CPS152-302*				
	Through Feed	1/2	CPS152-111*	CPS152-112*				
		3/4	CPS152-211*	CPS152-212*				
		1	CPS152-311*	CPS152-312*				
30A, 1 1/2 HP, 125-250VAC, 60 hertz, 7A, 1/2 HP, 480VAC ^① , 60 hertz	Dead End	1/2	CPS532-101	CPS532-102	} † .375 to .875	CPP4553		CPS532R
		3/4	CPS532-201	CPS532-202				
		1	CPS532-301	CPS532-302				
	Through Feed	1/2	CPS532-111	CPS532-112				
		3/4	CPS532-211	CPS532-212				
		1	CPS532-311	CPS532-312				
30A, 3 HP, 125-250VAC, 60 hertz, 7A, 1 HP, 480VAC ^① , 60 hertz	Dead End	1/2	CPS732-101	CPS732-102	} † .375 to .875	CPP4752		CPS732R
		3/4	CPS732-201	CPS732-202				
		1	CPS732-301	CPS732-302				
	Through Feed	1/2	CPS732-111	CPS732-112				
		3/4	CPS732-211	CPS732-212				
		1	CPS732-311	CPS732-312				

* Back boxes are available in copper-free aluminum. To order, add suffix SA to the Cat. No.
① CSA certified units are rated at 600 VAC at 7A.

† Receptacles will take any of the plugs grouped in the bracket opposite the receptacle listings.

♦ 20 amp plugs are furnished with solder terminations at standard, ground contacts have pressure terminations.

Heavy Duty
Plugs and
Receptacles

2P

Arktite® Circuit Breaking CPS Receptacles and CPP Plugs

Cl. I, Div. 1 & 2, Groups C,D
Explosionproof
Wet Locations

2P

Delayed Action
Factory Sealed



CPS straight type shown with plug

Style 2 – Grounded through extra pole and shell
2-wire, 3-pole
20A, 1HP, 125-250VAC, 60-400 hertz, 20A, 18VDC



CPS Dead End

Hub Size	Assembly Cat. #	Body Cat. #
1/2	CPS14-120	CPS120
3/4	CPS14-20	CPS20



CPS Receptacle Unit With Spring Door

Cat. # CPS14R



With aluminum handle



With high impact molded composition handle

CPP Plugs

With Mechanical Cable Grip and Neoprene Bushing

Cable Dia.	Aluminum Cat. #	Composition Cat. #
.312 to .625	CPP516	CPP512



CPS Through Feed

Hub Size	Assembly Cat. #	Body Cat. #
1/2	CPS14-121	CPS121
3/4	CPS14-21	CPS21

2P

Arktite® CPR Cable Connector Receptacles Delayed Action Circuit Breaking

Application:

CPR Arktite delayed action cable connector receptacles are used in **non-hazardous areas only***:

- to make up adapter sets for connecting portable devices having CPP plugs to receptacles in non-hazardous areas. This is accomplished by equipping one end of the length of cable with the CPR receptacle and the other with a plug to mate with the receptacle in the non-hazardous area.
- to make up extension cords using the CPR receptacle at one end and a CPP plug at the other

Features:

- Spring door housing with the same delayed action rotating mechanism provided in CPS receptacles listed on pages 1002 through 1005
- Pressure terminals are furnished for ease of wiring
- Gland nut with mechanical cable grip and bushing for effective strain relief

Standard Materials:

- Housing – copper-free aluminum
- Insulation – fiberglass-reinforced polyester
- Contacts – brass

Standard Finishes:

- Copper-free aluminum – natural
- Fiberglass-reinforced polyester – natural (red)
- Brass – natural



**Style 2 – Grounded through extra pole and shell.
For use with CPP516 and CPP512 series plugs
listed on page 1005.**

Description	Rating	Cable Dia.	Cat. #
2-wire,	20A, 1HP, 125-250VAC,	.375 to .625	CPR154
3-pole	60 hertz 20A, 18 VDC		

* CSA certified unit suitable for Class I Groups C and D (not available in USA).